



JACK GAME ROOM Outdoor Ping Pong Tables

Folding Outdoor Ping Pong Tables

108L x 72W x 30.5H -- Steel with cataphoretic coating process and polyester paint. Iroko wood legs. HPL playing surface.



White

Black

Stationary Outdoor Ping Pong Tables

108L x 60W x 30H -- Steel with cataphoretic coating process and polyester paint. Iroko wood legs. HPL playing surface.



White



Black

Standard Outdoor Ping Pong Tables

Steel with cataphoretic coating process and polyester paint. Iroko wood legs. HPL playing surface.
Standard: 108L x 60W x 30H Medium: 89L x 47W x 30h



White



Black



Custom Ping Pong Table Guide

- Jack Game Room offers an extensive line of fully custom ping pong tables
- Choose from many customization options:
 - Table style & size
 - Playing top material & color
 - Frame color
 - Leg material & color
 - Accessory drawer & net
 - Power ports
 - And more!
- Delivery in 6-10 weeks
- Review all available options in this PDF and then contact us for further information or to place your order:

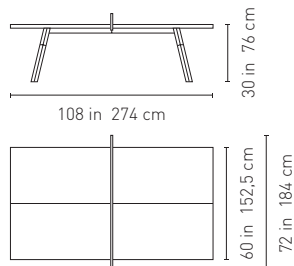
206.237.7733 or info@jackgameroom.com

FIXED-LEG TABLE STANDARD OPTIONS

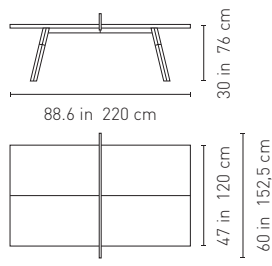


Sizes

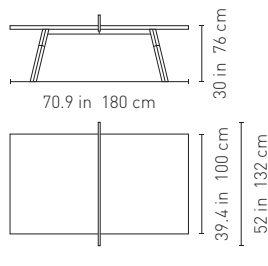
Standard



220-Medium



180-Small



1 CHOOSE THE SIZE

STANDARD

220-MEDIUM

180- SMALL

2 CHOOSE THE FRAME

BLACK

WHITE

HPL Top



3 CHOOSE THE TOP

HTP INDOOR & OUTDOOR

BLACK

WHITE

WOOD INDOOR

WALNUT

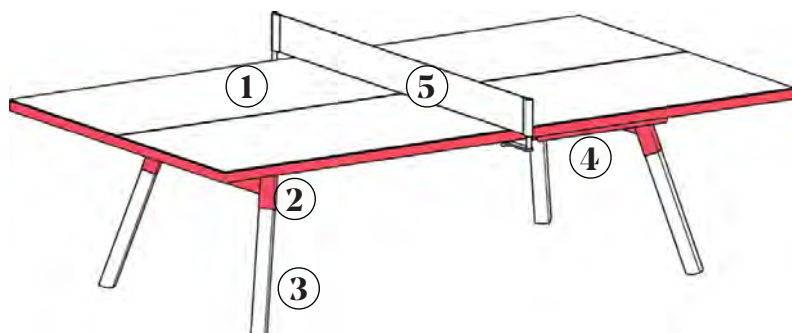
OAK

Wooden top



This basic customization is at no additional cost.

FIXED-LEG TABLE CUSTOMIZATIONS



1 TOP

1.1 HPL TOP

Tell us your colour preferences and we will look for the one that best suits from the available options.

- STANDARD + MEDIUM (220 CM) TABLES **\$680**

- SMALL (180 CM) TABLE **\$500**

1.2 PRINTED VINYL TOP

Choose the pattern, picture or specific colour that you want:

- STANDARD + MEDIUM (220 CM) TABLES **\$1,500**

- SMALL (180 CM) TABLE **\$1,100**

1.3 Include your logo (vinyl) in the field:

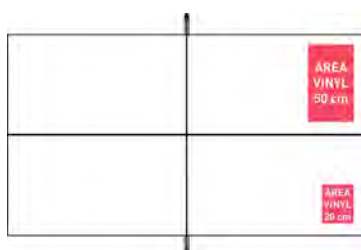
· 50 cm length (aprox.): **\$260**

· 20 cm length (aprox.): **\$150**

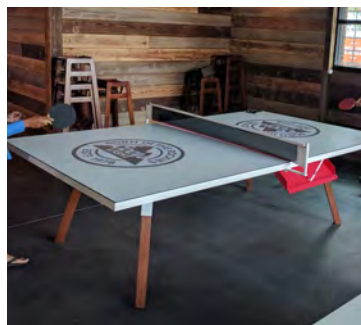
1.2



1.3



Vinyl top customization examples:



2 FRAME

Choose the RAL colour that you want.

- STANDARD + MEDIUM (220 cm) TABLES **\$850**

- SMALL (180 cm) TABLE **\$680**

3 LEGS

Paint the wood in another color.

\$450

Change to walnut or oak wood.

\$470

4 DRAWER

Pink, white or black color don't have extra cost. Any other color:

\$95

2

Structure customization example:



5 NET

Pink, white or black colour are at no additional cost.

Any other color:

\$350

TERMS AND CONDITIONS

- 8j hi db Zgb j hi egdkYZ Væ' b V\ Zh\$ad\ dhVc kZXi dgbZY [dgb Vi tæ' dg#Zehl#

- 8j hi db Zgb j hi 1 VkZ1] Z VeeeglegViZY Vj i] dgbVi 'dc d[j hZ [dgi] Z ' b V\ Zh\$ad\ dh' egdkYZ#

- Jack Game Room 1 æicdi VZ gZhedch Væ [dg eZcVá ZhYZgkZY [gib Xdeng\] ih#

- AZVY'i b Z [dgi] h' cY d[X] hi db 'bZY'e c\ 'edc\ i Væ'h'h) 1 ZZ' h [gib dgZgXdc [gb Vi 'dc#

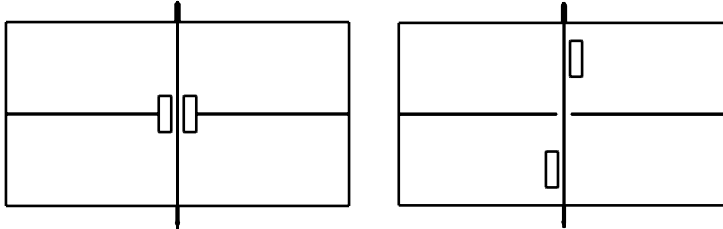
- 6æægXZh Vg' USD

- I VnZh VcY'h] æe c\ not included. *

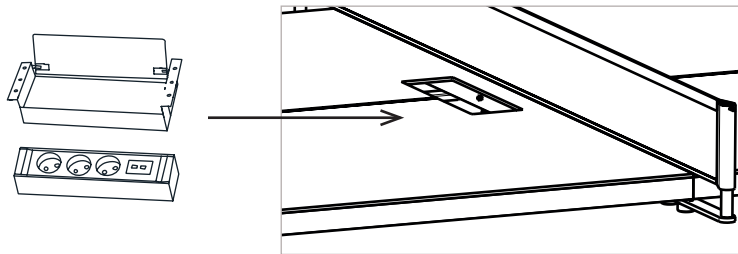
FIXED-LEG TABLE POWER OPTIONS



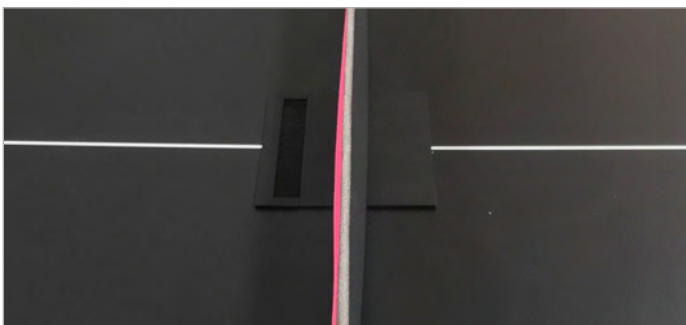
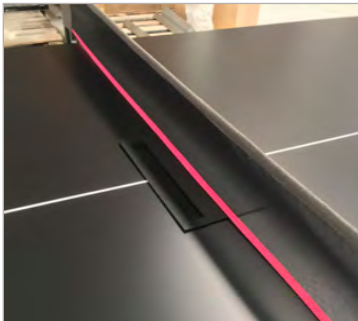
6.1 Power holes examples:



6.2 Desktop data power:



Power examples:



6 POWER

Hole for your own data power installation.

6.1 Hole size: 30x10cm/11.8x3.94in (1 hole price) **\$450**

6.2 Desktop data power installed (1 unit price) **\$850**

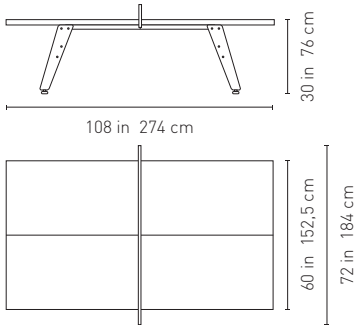
TERMS AND CONDITIONS

- Customer must provide all images/logos in a vectorized format (.ai or .eps).
- Customer must have the appropriated authorization of use for the images/logos provided.
- Jack Game Room will not be responsible for penalties derived from copyrights.
- Lead time for this kind of customized ping pong tables is 4 weeks from order confirmation.
- All prices are USD
- Taxes and shipping not included.

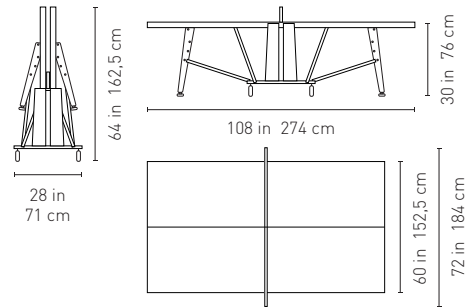
FOLDING & STATIONARY TABLE STANDARD OPTIONS

Version

Stationary



Folding



Colors



1 CHOOSE THE VERSION

STATIONARY

FOLDING

2 CHOOSE THE COLOR

 BLACK

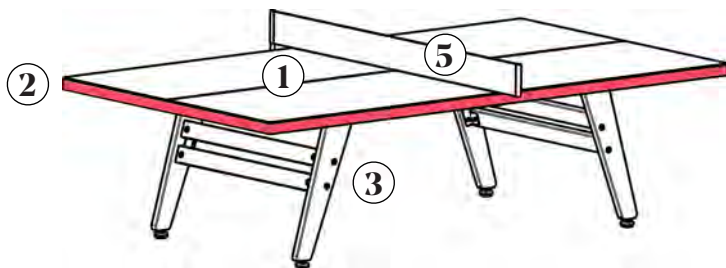
 WHITE



ALL COLORS ARE FOR INDOOR & OUTDOOR USE

This basic customization is at no additional cost.

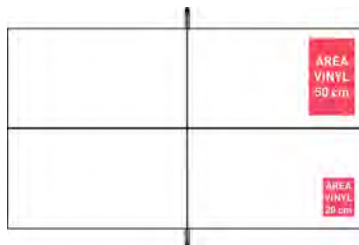
FOLDING & STATIONARY TABLE CUSTOMIZATIONS



1.2



1.3



Vinyl top customization examples:



1 TOP

1.1 HPL TOP

\$680

Tell us your colour preferences and we will look for the one that best suits from the available options.

1.2 PRINTED VINYL TOP

\$1,500

Choose the pattern, picture or specific colour that you want:

1.3 Include your logo (vinyl) in the field:

· 50 cm length (aprox.):

\$260

· 20 cm length (aprox.):

\$150

2 STRUCTURE

Choose the RAL colour that you want.

\$850

3 LEGS

Choose the wood colour that you want.

\$660

5 NET

Pink, white or black colour are at no additional cost. Any other colour:

\$420

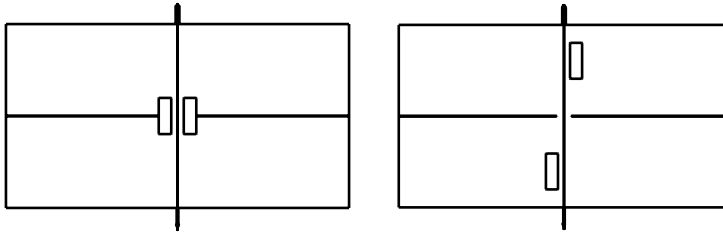
TERMS AND CONDITIONS

- Customer must provide all images/logos in a vectorized format (.ai or .eps).
- Customer must have the appropriated authorization of use for the images/logos provided.
- Jack Game room will not be responsible for penalties derived from copyrights.
- Lead time for this kind of customized ping pong tables is 6-8 weeks from order confirmation.
- All prices are USD.
- Taxes and shipping not included.

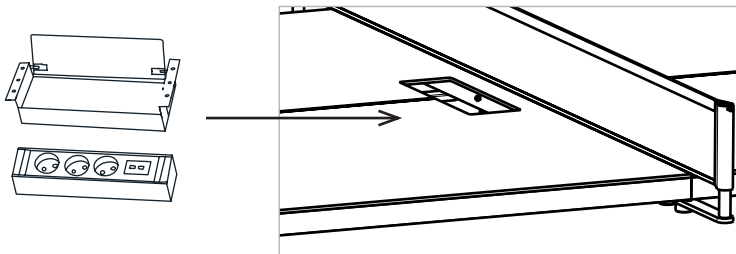
FOLDING & STATIONARY TABLE POWER OPTIONS



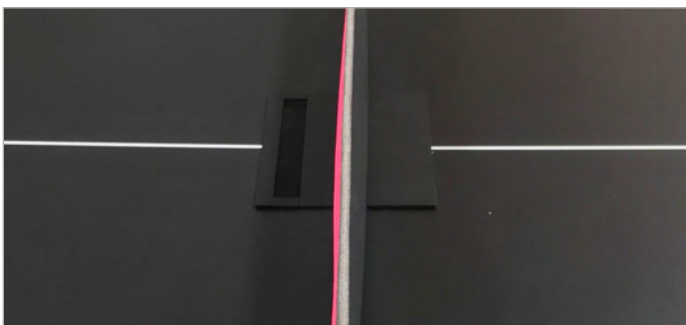
6.1 Power holes examples:



6.2 Desktop data power:



Power examples:



6 POWER

Hole for your own data power installation.

6.1 Hole size: 30x10cm/11.8x3.94in (1 hole price) **\$450**

6.2 Desktop data power installed (1 unit price) **\$850**

Ask for connection unit combinations and country socket availability.

TERMS AND CONDITIONS

- Customer must provide all images/logos in a vectorized format (.ai or .eps).
- Customer must have the appropriated authorization of use for the images/logos provided.
- Jack Game Room will not be responsible for penalties derived from copyrights.
- Lead time for this kind of customized ping pong tables is 6-8 weeks from order confirmation.
- All prices are USD.
- Taxes and shipping not included.